



# goslyn™ MODEL GOS60 15 GPM Grease Removal Device



**Model:** GOS60  
**Capacity:** 15 Gallons / Minute

## GOS60 – Standard Features:

- Heavy duty 2.5 mm, 304 Stainless Steel exterior construction
- Neoprene seals on base of unit
- Fixed rate flow restrictor included (15 gal. / minute)
- Immersion heater (UL listed) to keep effluent warm during idle periods
- Self-closing drain valve included
- Strainer basket to prevent solid debris from entering the drain pipes
- Easy access hinged lid compartments
- Two oil collection cassettes included
- No moving parts
- Manufactured to ASME A112.14.3 and ASME A112.14.4 standards
- Five Year Warranty



### Short Form Specification

Shall be a Goslyn Model: GOS60 grease removal device / immiscible liquid separator which continuously operates under hydro static pressure with no moving parts. Is made of 2.5 mm, 304 stainless steel and comes standard with an immersion heater and two (2) oil recovery cassettes. It has a capacity of 15 gallons per minute and is UL, NSF, IAPMO / UPC approved.

For Sales/Service please contact: FogBusters, Inc. Bradley Mart 415-425-5590;

[bradley@fogbustersinc.com](mailto:bradley@fogbustersinc.com); [www.fogbustersinc.com](http://www.fogbustersinc.com)



***“The easiest & most effective GRD to operate & maintain!”***



Goslyn LP  
1904 University Business Dr  
Suite 310  
McKinney TX 75071

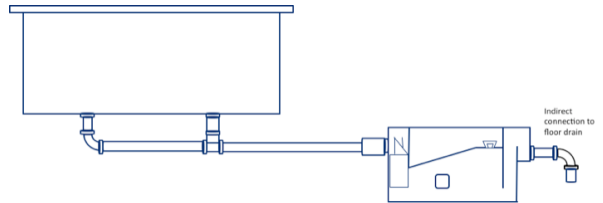
Phone: 888-648-5040  
Fax: 214-618-3765  
[www.goslyn.com](http://www.goslyn.com)



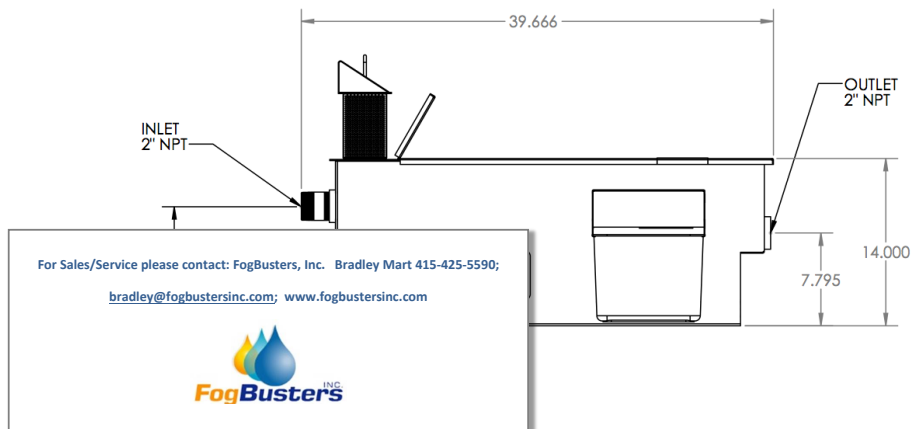
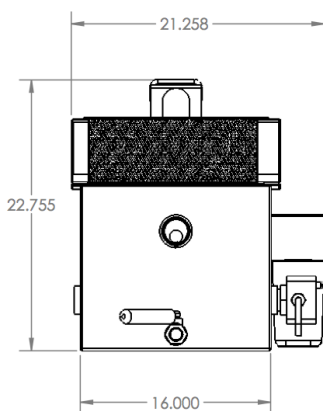
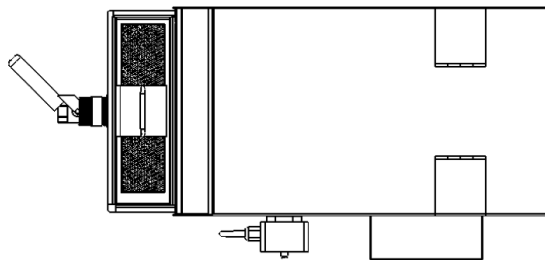
# goslyn™ MODEL GOS60 15 GPM Grease Removal Device



<b>Model:</b>	<b>GOS60</b>
<b>Shipping Dimensions</b>	40.5" X 20.5" X 17" 102.9 cm X 52.1cm X 43.2cm
<b>Shipping Weight</b>	115 lbs. / 52.2 Kg
<b>Required Clearances</b>	<ul style="list-style-type: none"><li>• Headroom needed above strainer basket: 12"</li><li>• 2" inlet</li><li>• 2" outlet</li><li>• Access to front Oil Cassette</li><li>• Access to hinged lid for Oil Valve</li></ul>
<b>Approval Agencies:</b>	UL; NSF; IAPMO / UPC; CSA
<b>Electrical Requirements:</b>	One (1) -- 110 Volt, 1000 watts, 9 Amps within 5' of unit



The Goslyn Outlet may discharge either **indirectly** (e.g., into a floor sink, as shown in the above schematic) **or directly** to a drainpipe.



**"The easiest & most effective GRD to operate & maintain!"**



Goslyn LP  
1904 University Business Dr.  
Suite #310  
McKinney, Texas, U.S.A. 75071

Phone: 888-648-5040  
Fax: 214-618-3765  
[www.goslyn.com](http://www.goslyn.com)